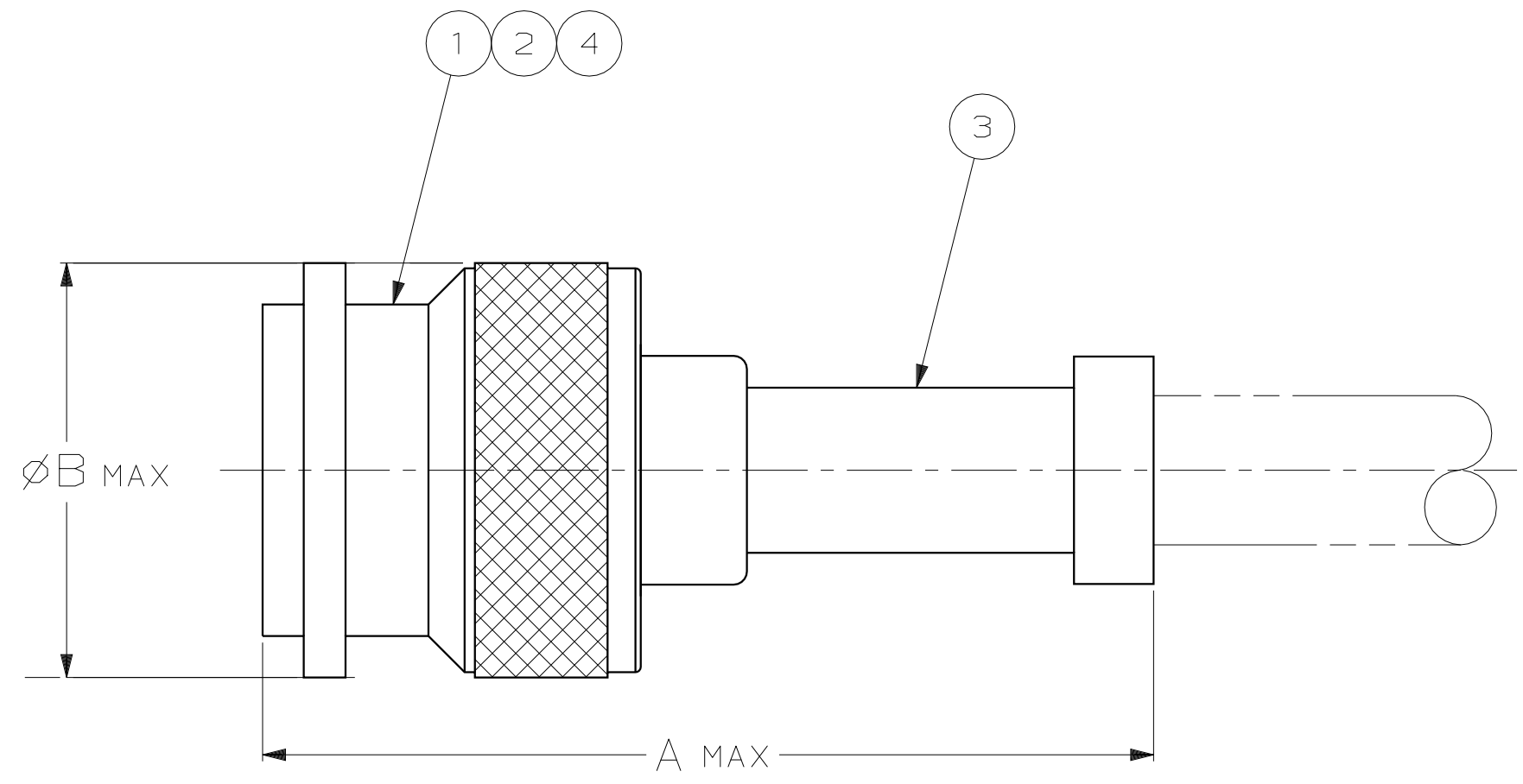
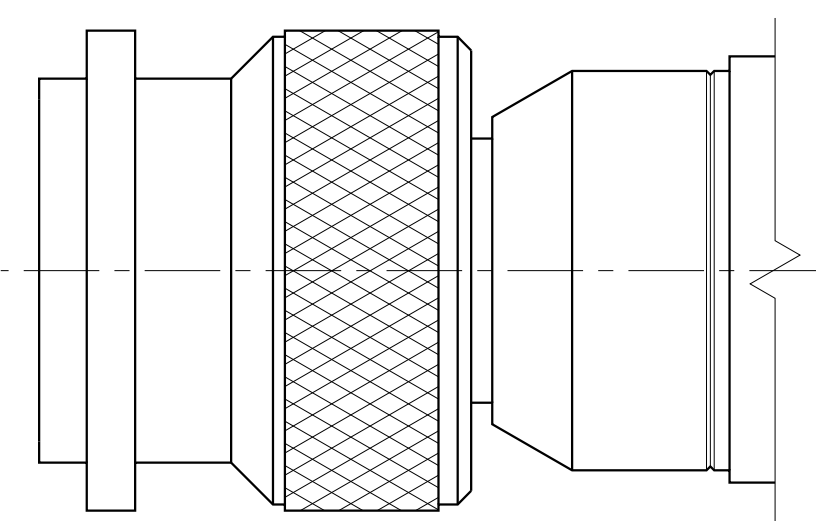


LOC	DIST	P	F	ZONE	LTR	DESCRIPTION	DATE	APPD
DF	X0					REV PER 063D-0153-03	12-03	FB



VIEW X



VIEW Y
 SAME AS VIEW X
 EXCEPT AS SHOWN

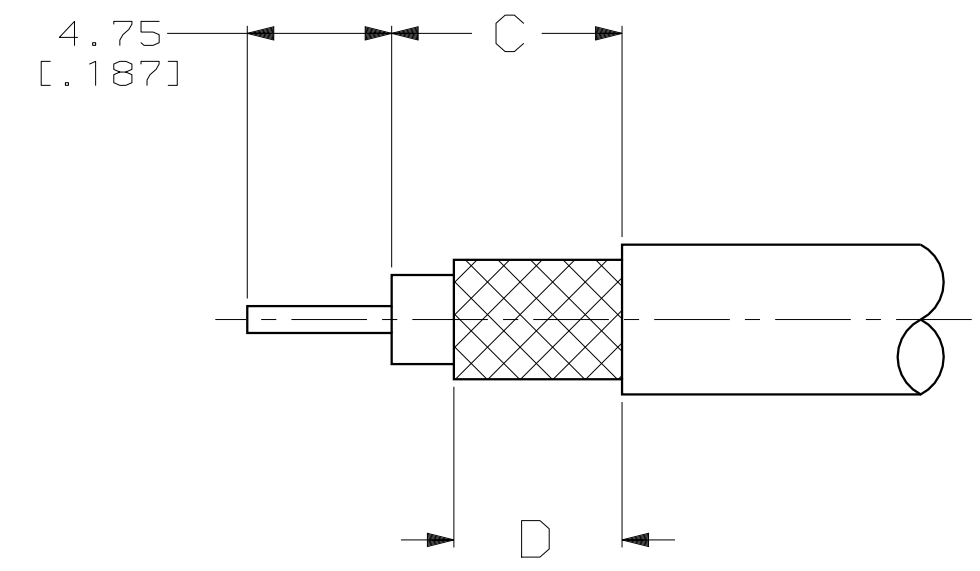


FIG 1

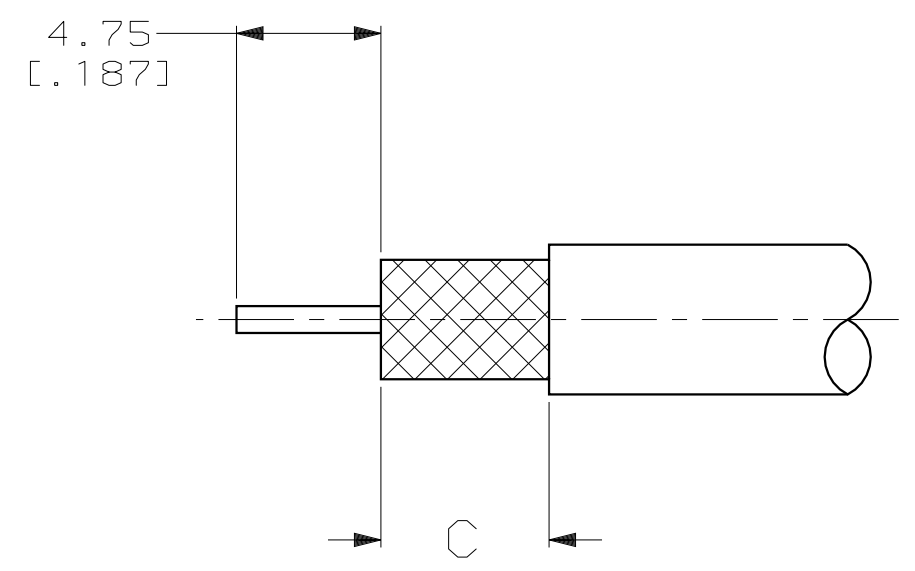


FIG 2

RECOMMENDED STRIP LENGTH

- 1 00779 M39012/26B0016 AMP 225550-1 YY WW
- 2 00779 M39012/26B0007 AMP 225550-3 YY WW
- 3. USE INSTRUCTION SHEET 2299-1
- 4 SEE SEPERATE RESTRICTED DRAWING FOR THIS PART NUMBER

⁴ OBSOLETE	-	-	-	-	-	-	-	-	-	-	-	-	-	-	-	7-225550-8
SUPERSEDED BY 225550-6	TIMES AA-5886	2	7-225550-7 AMP	220015-1	-	12.70 [.500]	16.00 [.630]	51.05 [2.010]	332022	1-331987-0	225526-6	225593-2	X	7-225550-7		
	RG-142/U, 142A/U & 142B/U	1	7-225550-6 AMP	220045-2	8.71 [.343]	10.31 [.406]	16.26 [.640]	34.93 [1.375]	225592-2	225560-1	225467-6	1663000-1	X	7-225550-6		
	TIMES AA-5887	2	7-225550-5 AMP	220015-1	-	12.70 [.500]	16.00 [.630]	51.97 [2.046]	-	225612-2	225596-4	5-225593-2	X	7-225550-5		
SUPERSEDED BY 225550-2	RG-59B/U, 62B/U & BSX 7002-59/U	1	7-225550-3 AMP	220045-3	5.56 [.219]	7.14 [.281]	16.26 [.640]	34.93 [1.375]	225592-3	225560-3	225467-4	1663000-3	X	7-225550-3		
⁴ OBSOLETE	RG-58A/U & 58C/U	1	7-225550-2 AMP	220045-2	8.71 [.343]	10.31 [.406]	16.26 [.640]	34.93 [1.375]	225592-1	225560-2	225467-2	1663000-1	X	7-225550-2		
	RG-180/U, 180A/U & 180B/U	1	1-225550-9 AMP	220045-2	8.71 [.343]	10.31 [.406]	16.26 [.640]	34.93 [1.375]	225592-1	1-225560-4	1-225467-0	1663000-1	X	1-225550-9		
	MICRODOT 250-4172 & 250-4208	1	1-225550-8 AMP	220015-3	9.53 [.375]	12.70 [.500]	16.26 [.640]	51.59 [2.031]	225908-1	225612-2	225596-2	225593-3	X	1-225550-8		
	MICRODOT 250-4171 & 250-4207	1	1-225550-7 AMP	220015-3	9.53 [.375]	12.70 [.500]	16.26 [.640]	51.97 [2.046]	225908-1	225612-1	225596-2	225593-3	X	1-225550-7		
	RG-393/U	2	1-225550-3 AMP	220015-1	-	12.70 [.500]	16.26 [.640]	50.67 [1.995]	332022	225490-1	225526-2	225593-2	Y	1-225550-3		
	RG-225/U	2	1-225550-2 AMP	220015-1	-	12.70 [.500]	16.26 [.640]	50.80 [2.000]	332022	331987	225526-2	225593-2	Y	1-225550-2		
	RG-9/U, 9A/U, 9B/U & 214/U	2	225550-8 AMP	220015-1	-	12.70 [.500]	16.26 [.640]	50.80 [2.000]	332022	331987	225596-2	225593-2	X	225550-8		
SUPERSEDED BY 225550-7	RG-8/U, 8A/U & 213/U	1	225550-7 AMP	220015-1	9.53 [.375]	12.70 [.500]	16.26 [.640]	50.80 [2.000]	332022	1-331987-3	225596-2	225593-2	Y	225550-7		
	RG-142/U, 142A/U, 142B/U & 400/U	1	00779 M39012/26B0006 AMP YY WW	220045-2	8.71 [.343]	10.31 [.406]	16.26 [.640]	34.93 [1.375]	225592-2	225560-1	1-225467-3	1663000-1	X	225550-6		
	RG-59B/U, 62B/U & BSX 7002-59/U	1	²	220045-3	5.56 [.219]	7.14 [.281]	16.26 [.640]	34.93 [1.375]	225592-3	225560-3	1-225467-2	1663000-3	X	225550-3		
	RG-58A/U & 58C/U	1	00779 M39012/26B0005 AMP YY WW	220045-2	8.71 [.343]	10.31 [.406]	16.26 [.640]	34.93 [1.375]	225592-1	225560-2	1-225467-1	1663000-1	X	225550-2		
	RG-55A/U & 223/U	1	¹	220045-2	8.71 [.343]	10.31 [.406]	16.26 [.640]	34.93 [1.375]	225592-2	225560-1	1-225467-1	1663000-1	X	225550-1		
	CABLE SIZE	FIG	STAMPING	CRIMP TOOL	D	C	B	A	⁴ GASKET QTY=1	³ FERRULE QTY=1	² CONTACT QTY=1	¹ PLUG ASSY QTY=1	VIEW	PART NUMBER		

DO NOT SCALE PRINT. UNLESS SPECIFIED DIMENSIONS IN mm [INCHES] TOLERANCES ON: 2 PLC DEC ± 0.41 [.016] 3 PLC DEC ± - ANGLES ± -		DR 3-5-91 B. SCOTT CHK 3-11-91 J. LIPPERT APPD 4-2-91 M. PHILLIPS APPD 4-2-91 J. LIPPERT PRODUCT SPEC 108-12001		AMP Incorporated Harrisburg, PA 17105-3608	
FINISH -		APPLICATION SPEC -		NAME PLUG, WEATHERPROOF, SERIES TNC	
SCALE 4:1		SIZE D 00779		DRAWING NO 225550	
WEIGHT -		CAGE CODE		SHEET 1 OF 1	